

PeepHole Viewer

The Digital PeepHole!

Specifications

Sensor:	1.3 Mega Pixel CMOS
Optical lens:	View Angle 54 degrees
LCD Screen:	2.5" TFT
Power Source:	2 AA batteries (good for approx.1700 "peeps")
PeepHole:	<ul style="list-style-type: none">• View Angle: 190 degrees• Barrel: 12mm• Door thickness: PeepHole barrel will fit doors that are 35~57mm (1.38"~2.24") wide.
Accessories:	Base Flange, Tightening Tool, PeepHole, 2 AA Batteries, User Manual.
Size (WxHxD) mm:	146 x 90 x 30
Weight:	0.4lbs



» Operation

Simple One Button Operation

- Press the Power button under the LCD panel to turn on the viewer and see clearly who's at the door.
- The first push of the Power button will put the PeepHole Viewer into "Regular" view mode.
- If the button is pressed a second time while the viewer is still on, the display will go into "Zoomed View".
- Repeated pressing of the button causes the viewer to rotate between the two viewing modes: "Regular" and "Zoom".
- The viewer will turn off automatically after 10 seconds to conserve battery life. Any press of the button will restart the timer for 10 seconds.

Display modes:

- **"Regular"** Regular display mode shows a field of view similar to that of a digital camera
- **"Zoom"** Zoom display mode enlarges the center of the PeepHole field of view for viewing facial details.

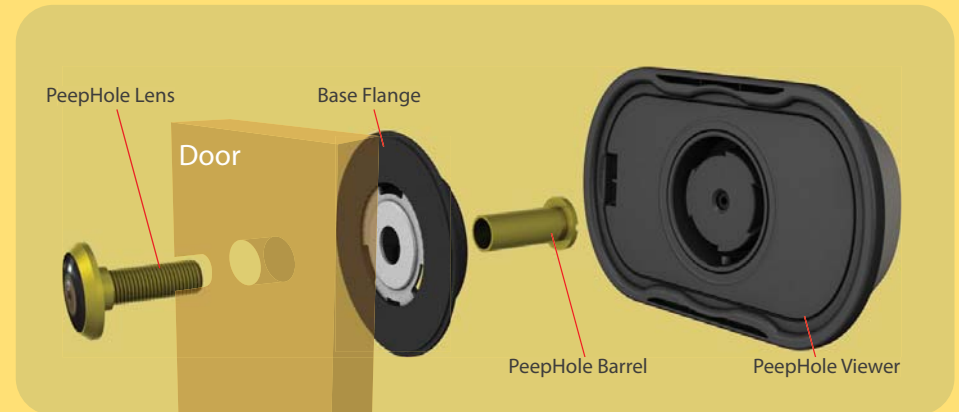
Low Battery:

- When the batteries are low, the Red Low Battery Light will flash.



What is the PeepHole Viewer?

The PeepHole Viewer uses an LCD Panel to display who is at your door. It turns a hard to see PeepHole image into a big bright image.



Color Standard color is Silver. Custom colors are available for special order with minimum order quantities.

